

ONEK
Open Pit and
Underground
Workings

BELLEKENO
Underground Workings

Proposed Decline and
Exploration Drill Lateral

**KENO
CITY**



Proposed Bellekeno East Ramp

600 Level



TITLE DRAWING 3 BELLEKENO EAST RAMP
A REFRAINED VIEW

PROJECT

KENO HILL MINE

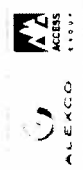
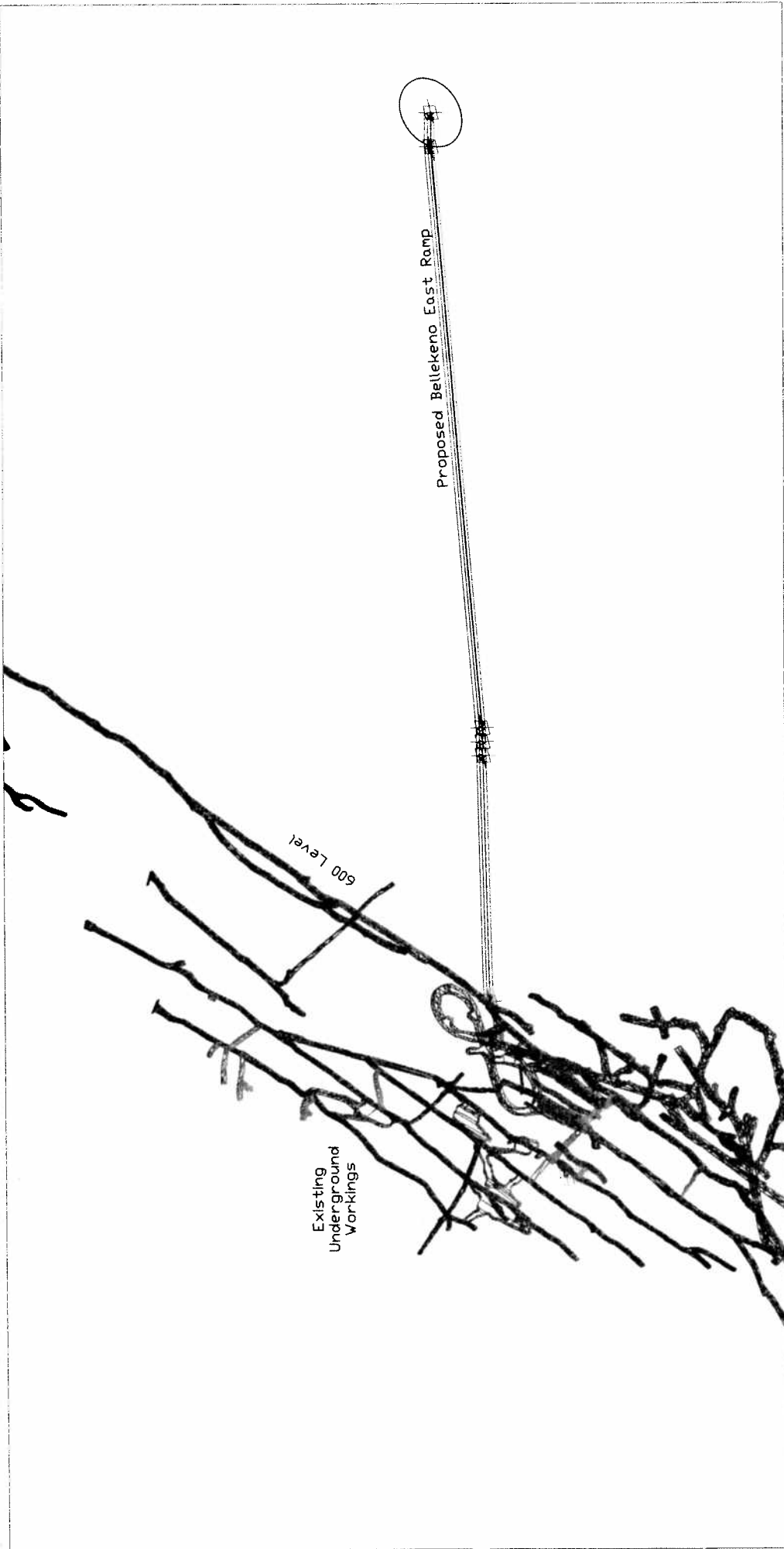
DATE September 2007

ACCESS JOB NO. ALEY 03 BELLEKENO

DWN T.M.C.

CHKD

REVISION NO. 1

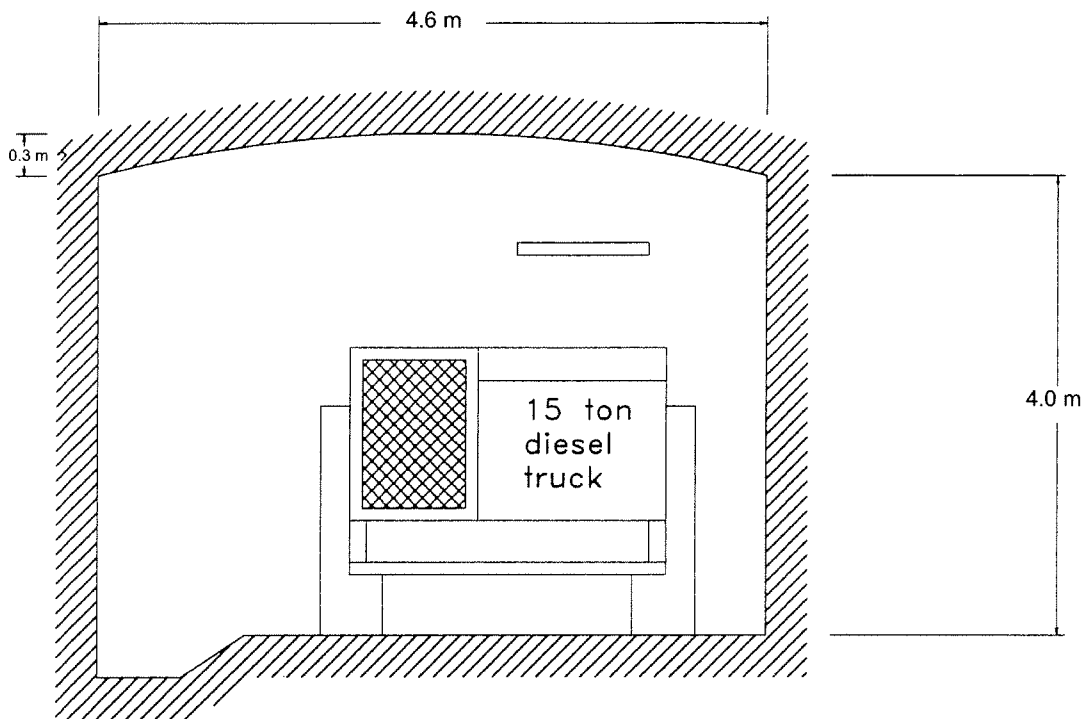


TITLE DRAWING 2 BELLEKENO EAST RAMP SECTION VIEW

PROJECT KENO HILL MINE

DATE September 2007 ACCESS JOB NO ALEK01 BELLE 01
 DWN CHD REVISION NO

1/25



Y W B

8

0207 078



ALEXCO RESOURCE CORP.
WATER LICENCE APPLICATION
& MINING LAND USE
APPROVAL AMENDMENT
REQUEST
TYPICAL MAIN HAUL RAMP SECTION



Drawn by RG/HD	DRAWING 4
Checked by NS	Date January 2008
<small>Dr. File D:\Project\Projects\ALEX-05-01\Core\Baselines_UG_WUL_MLU_Doc07 Drawing: TypicalMainHaulRampSection.cdr</small>	